

XL-3620

2D Barcode Scanner

New Design Concept
Strong Compatibility
Independent Core Technology



Red LED



ARM



1D/2D



Mobile payment



640x480Pixel

Applications



Features

- ◆ Fast reading on all 1D/2D barcode on paper and screen
- ◆ 0.3 million camera, fast reading speed 60fps/s
- ◆ Light industrial design, unique appearance, fashionable shape
- ◆ Compatible with Windows 7/8/10, iOS, Android, Linux system
- ◆ Plug and play, no need to install drivers, support firmware upgrade
- ◆ Suitable for retail stores, supermarkets, restaurant, pharmacy, assembly line

SUNLUX IOT TECHNOLOGY (GUANGDONG) INC.

Office Add: 4F, No.7, Kehui First Street, Science Road, Guangzhou, China

Tel: +86-20-32053765 Fax: +86-20-82115390 Website: www.xl-scan.com E-mail: overseas01@xl-scan.cn

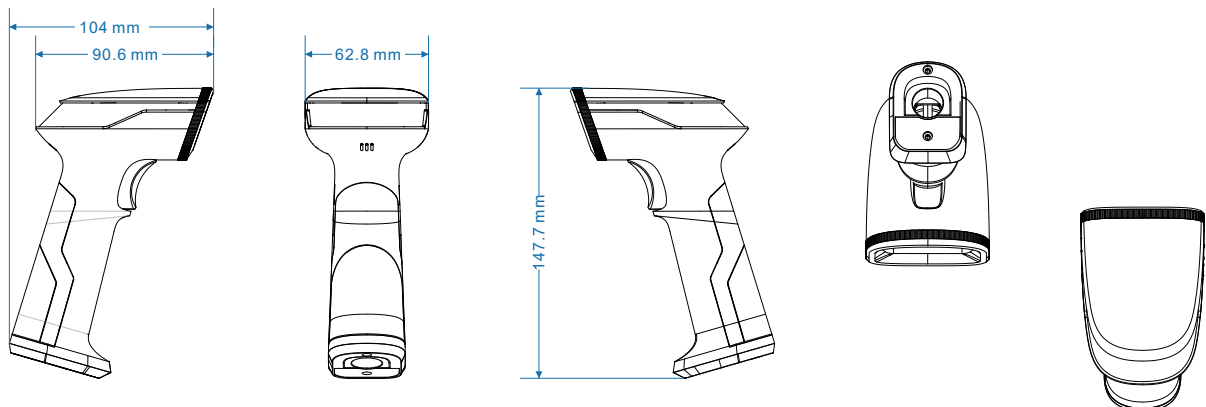


XL-3620

Technical Parameters

Performance Parameter

Image Sensor	CMOS
Light Levels	White LED (Lighting) RED aiming light
CPU	32bit ARM
IP Standard	IP 54
Image Sensor	640x480 pixels
Scanning Speed	60fps
Decoding Depth	60~360mm (13mil PCS90%)
Minimum Resolution	3mil
Motion Tolerance	13cm / second,(Skew/Pitch) +/- 65°
Interface	USB-HID, USB-VCP, RS232
Scan Mode	Manual & Automatic
Materials	ABS+TPU
Size	L*W*H : 147.7*90.6*62.8(mm)
Weight	185g
Input Voltage	DC 3.6V ~ 5.5V
Working Current	142mA
Stand-by Current	42mA
Temperature(Operating)	-10°C ~ 50°C
Temperature(Storage)	-20°C ~ 60°C
Indicate	LED Indicator and Buzzer
Cable Standard	1.5 Meters
Humidity	5% ~ 95%(non-condensing)
Light Source	0 ~ 5000Lux(fluorescent light), 0 ~ 100,000Lux(daylight)
Decoding Capability	1D: Codabar, Code11, Code39, Code32, Interleaved 2 of 5, Industrial 2 of 5, Matrix 2 of 5, Code93, Code128, GS1-128, UPC-A, UPC-E, EAN 8, EAN 13, GS1 DataBar, RSS14, GS1 DataBar Limited, GS1 DataBar Expanded, etc. 2D: PDF417, Micro PDF417, QR Code, Micro QR, Data Matrix, Aztec Code



*XL-3620-V1.22.03